

BUTTERFLY VALVE TECFLON- DUCTILE IRON BODY WITH HANDLE

APPLICATION

TECFLON butterfly valves are intended for ON/OFF or control use in fluid transfer circuits.

- **Area of use:** ingeneering, chemical and petrochemical industry, sewage treatment plants.



- **Fluids :** waste water, liquid waste, corrosive products, hydrocarbons, etc.
«Not suitable for steam application»

GENERAL CHARACTERISTICS

- **Range :** from DN40 to DN100.
- Type with threaded ears
- Sealing in both directions of circulation of the piping.
- Stainless steel disc.
- PTFE sleeve with viton backup pad.
- Extended neck compatible with pipe lapping
- Reduced maneuvering torque.
- Reduced head losses.
- Notched sector providing 10 positions of adjustment of the handle.
- ISO 5211 mounting plate.



STANDARDS

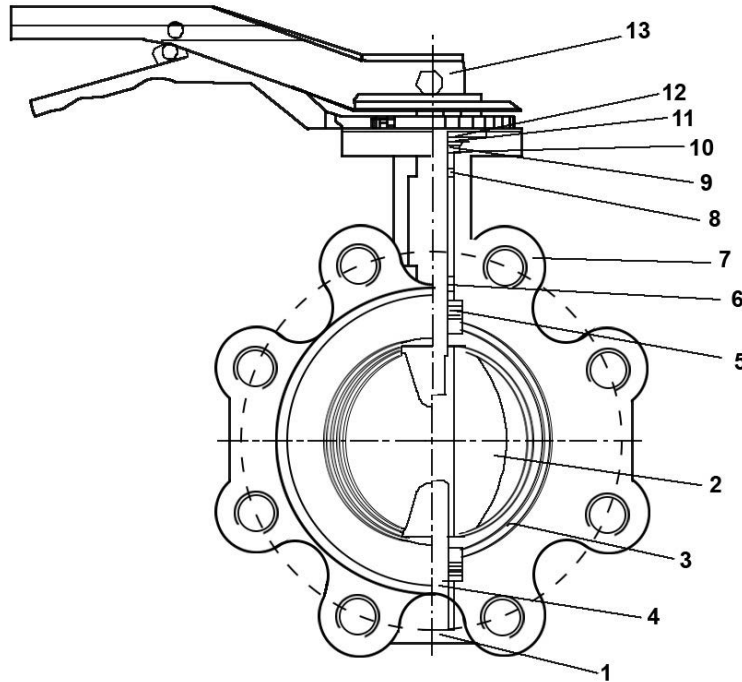
| | |
|---------------------|--|
| Design | Manufacture according to the requirements of the European directive 2014/68/UE «Equipment under pressure»: modulate H. |
| Face to face | Face to face according to standards NF EN 558-1 série 20, ISO 5272 série 20, DIN 3202. |
| Connection | Mounting with flanges ISO PN10/16 according to EN1092-2. |
| Tests | Pressure test according to standards EN12266-1, DIN 3230, BS 5154 and ISO 5208: -Body : 24 bar -Seat : 17.6 bar |

PRODUCT APPROVALS



Butterfly valve tecflon

CONSTRUCTION



Oven backed epoxy coated body RAL 5019 thickness 250µ

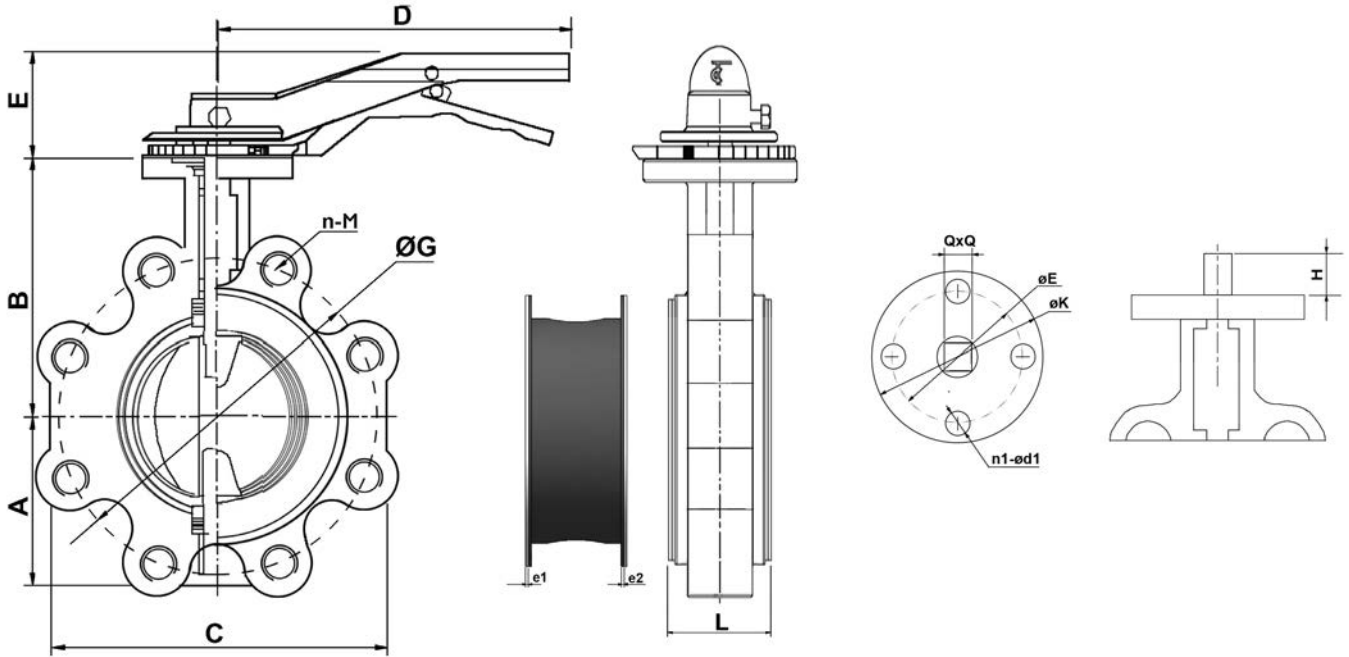
| Pos. | Description | Material | Equivalences | | |
|------|--------------|--------------------------------|--------------|------------------|----------------|
| | | | DIN | ASTM | BS |
| 1 | Body | Ductile iron EN-GJS-500-7 | GGG50 | A536 65-70-50-05 | 1563 EN-JS1050 |
| 2 | Disc | Stainless steel CF8M | | | |
| 3 | Sleeve | PTFE + FPM (Viton®) | | | |
| 4 | Stem | Stainless steel 316 | | | |
| 5 | Joint | FRP (Fiber reinforced plastic) | | | |
| 6 | Bushing | FRP (Fiber reinforced plastic) | | | |
| 7 | Body | Ductile iron EN-GJS-500-7 | GGG50 | A536 65-70-50-05 | 1563 EN-JS1050 |
| 8 | Bushing | FRP (Fiber reinforced plastic) | | | |
| 9 | Ring | Steel | | | |
| 10 | Stem circlip | Steel | | | |
| 11 | Ring | Steel | | | |
| 12 | Circlip | Steel | | | |
| 13 | Handle | Ductile iron | | | |

The photographs and technical art works are not contractual. The specifications of the presented products are open to modifications without previous advice.



Butterfly valve tecflon

DIMENSIONS



| DN | | A | B | C | L | H | Upper plate | | | | ØG | n-M | D | Q | PTFE thickness e1 | Viton thickness e2 | Maximum possible vacuum (kPa) | KV's (m³/h) | Torque Nm | Weight (kg) |
|-----|--------|-----|-----|-----|------|----|-------------|----|----|--------|-----|-------|-----|----|-------------------|--------------------|-------------------------------|-------------|-----------|-------------|
| mm | inch | | | | | | ISO | K | E | n1-Ød1 | | | | | | | | | | |
| 40 | 1 1/2" | 62 | 130 | 143 | 47 | 32 | F05 | 65 | 50 | 4-Ø7 | 115 | 4-M16 | 180 | 9 | 2 | 2 | 50 | - | 25 | 3.47 |
| 50 | 2" | 62 | 136 | 153 | 47 | 32 | F05 | 65 | 50 | 4-Ø7 | 125 | 4-M16 | 180 | 9 | 2 | 2 | 50 | 111.2 | 25 | 3.47 |
| 65 | 2 1/2" | 72 | 138 | 155 | 50 | 32 | F05 | 65 | 50 | 4-Ø7 | 145 | 4-M16 | 180 | 9 | 2 | 2 | 50 | 179.6 | 30 | 4.1 |
| 80 | 3" | 78 | 140 | 180 | 50 | 32 | F05 | 65 | 50 | 4-Ø7 | 160 | 8-M16 | 180 | 9 | 2 | 2 | 50 | 256.5 | 45 | 4.55 |
| 100 | 4" | 105 | 158 | 198 | 55.5 | 32 | F07 | 90 | 70 | 4-Ø10 | 180 | 8-M16 | 220 | 11 | 2.3 | 2.2 | 50 | 513 | 65 | 6.8 |

WORKING CONDITIONS

Maximum working pressure : 16 bar
 Maximum working temperature : -20°C / +190°C

The photographs and technical art works are not contractual. The specifications of the presented products are open to modifications without previous advice.

